

AGE



INTENDED USE

Heating and ventilation units with axial-flow fans are used for heating and ventilation of such rooms as industrial shops, storerooms, warehouses, greenhouses etc. with surfaces from 30m² to 150 m².

UNIT DESCRIPTION

The series of types of the unit consists of 6 sizes.

The unit consists of:

- axial-flow fan;
- electric heaters with aluminium ribs rolled in a spiral way with the outer diameter of a rib D=28 mm and the ribs spacing s=2,8 mm;
- exterior casing;
- outlet grate;
- control system.

DESIGNATIONS

Heating and ventilation unit

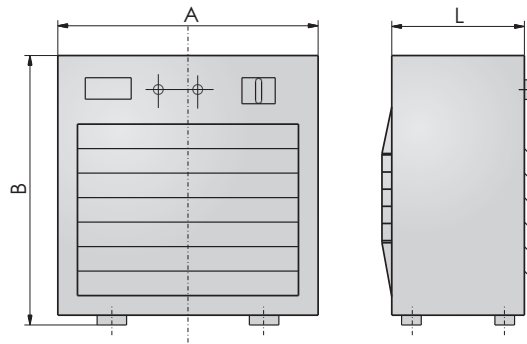
AGE - 1 - 6

Size 1 ÷ 6

Heaters power 3, 6, 9, 12, 18, 27 kW

TECHNICAL DATA

Basic dimensions



Unit size	A [mm]	B [mm]	L [mm]	L _{min} [mm]	Heaters voltage [V]	Heaters current [A]	Heaters power [kW]	Air capacity [m ³ /h]	Fan type	Revolutions [rpm]	Motor power [W]	Motor voltage [V]	Weight [kg]
AGE-1-3	502	300	245	100	400	4,5	3	450	HXM-200	1300	32	230	13
AGE-2-6	502	365	245	125	400	9	6	850	HXM-250	1300	46	230	16
AGE-3-9	502	465	255	150	400	13	9	1450	HXM-300	1300	64	230	19
AGE-4-12	502	465	255	150	400	17	12	1450	HXM-300	1300	64	230	21
AGE-5-18	502	515	325	160	400	27	18	2100	FE031-4EQ.0C.3	1400	120	230	28
AGE-6-27	502	575	375	180	400	39	27	2900	FE035-4EQ.0F.3	1400	200	230	34

L_{min} minimal distance of the unit assembly from the wall.

Units thermal powers and air temperature-rise.

Range of heaters activity	AGE-1-3		AGE-2-6		AGE-3-9		AGE-4-12		AGE-5-18		AGE-6-27	
	P [kW]	† [°C]	P [kW]	† [°C]	P [kW]	† [°C]	P [kW]	† [°C]	P [kW]	† [°C]	P [kW]	† [°C]
I	3	19	3	10	6	12	6	12	6	8	9	9
II	-	-	6	21	9	18	9	18	12	17	18	18
III	-	-	-	-	-	-	12	24	18	25	27	27

Unit noise level

Unit size		AGE-1-3	AGE-2-6	AGE-3-9	AGE-4-12	AGE-5-18	AGE-6-27
Noise level [dB(A)]	From distance of 1m	51	53	61	61	61	63
	From distance of 5m	47	49	57	57	57	59

AUTOMATICS

Description of heating units automatics components selection are presented in the section: HEATING AND VENTILATION UNITS CONTROL AND AUTOMATICS in this catalogue