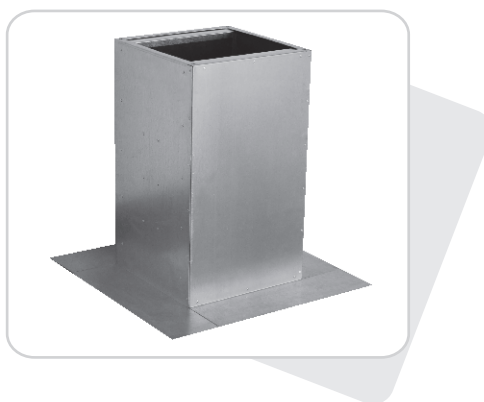


PU i PUT



INTENDED USE

Roof bases are used for mounting OWD; WDVO; WDVOS; WDVOSC WDV; WDV5 WDJ; WDJV as well as WD and WD PLUS roof fans.

They are made as the universal bases **PU** and universal dampening bases **PUT**.

DEVICE DESCRIPTION

Universal bases for the roof fans are made of galvanized steel sheets.

They have 10 mm thick thermal insulation on the internal side.

In the PUT bases PUT 100 mm thick slot levers are used as dampening insert.

PU and PUT universal bases can be equipped with following additional elements:

- **PWDt** roof base made of polyester-glass laminate;
- assembly plate **PM**;
- throttling valve **SWD**;
- inlet diffuser **DW**;
- connector (duct section) or elastic spout **KE**;

We can also supply the single-plane throttling valves controlled manually or with the servo-motor.

DESIGNATIONS

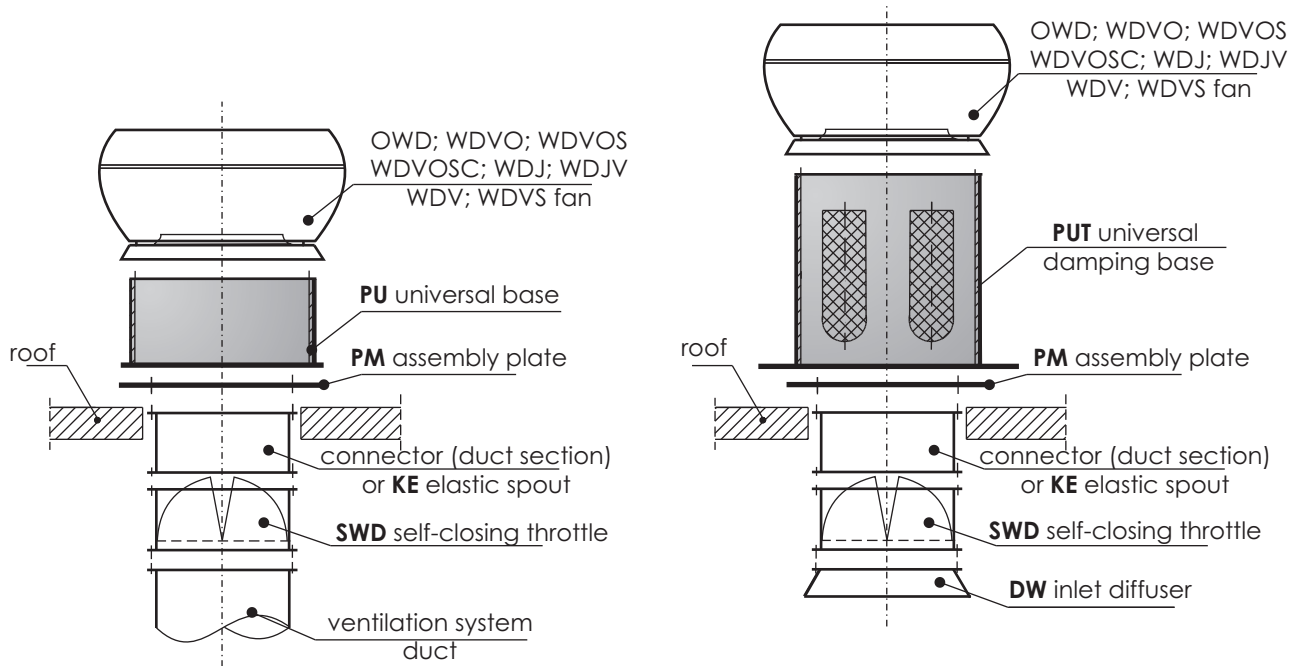
Universal roof base PU or PUT - 2

Size 1; 2; 3; 4; 5; 6; 7; 8

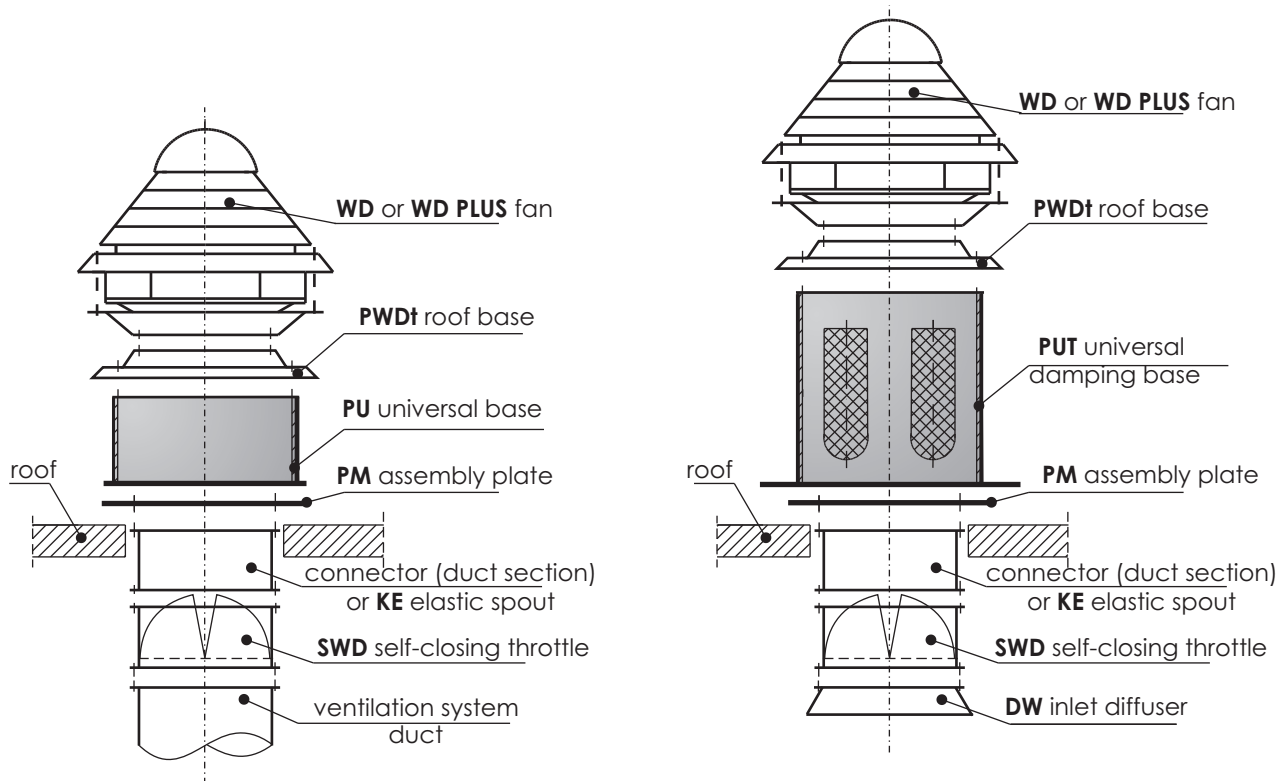
LISTING OF THE PU AND PUT UNIVERSAL BASES FOR THE ROOF FANS

Base size	Intersection [mm]	Height [mm]		Fan type					
		PU	PUT	OWD	WDV WDVS	WDVO WDVOS WDVOSC	WDJ/WDJV	WD	WD PLUS
PU/PUT-1	□360	300	700	31	22	-	17÷25	16	-
PU/PUT-2	□412	300	700	35	25; 28	25; 28	-	20	-
PU/PUT-3	□452	300	700	40	-	-	-	25	-
PU/PUT-4	□512	300	700	45	31,5; 35	31,5; 35	-	31,5	25
PU/PUT-5	□592	300	900	50	40; 45	40; 45	-	40	-
PU/PUT-6	□662	300	900	56	-	-	-	-	31,5
PU/PUT-7	□742	300	900	63	50; 56	-	-	-	-
PU/PUT-8	□832	300	900	71	63	-	-	-	40

LISTING OF THE ADDITIONAL EQUIPMENT LISTING FOR THE OWD; WDVO; WDVOS; WDVOSC; WDJ; WDJV; WDV; WDV5 FANS



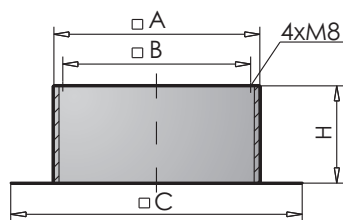
LISTING OF THE ADDITIONAL EQUIPMENT LISTING FOR THE WD i WD PLUS FANS



TECHNICAL DATA

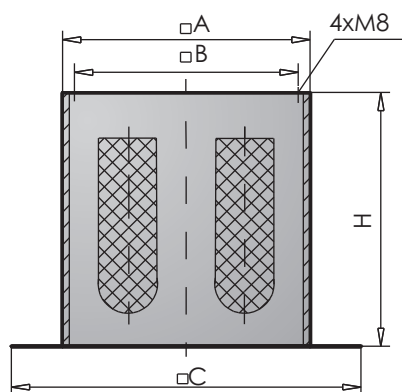
Basic dimensions

PU Universal base (for all the types of fans)



Base size	□ A [mm]	□ B [mm]	□ C [mm]	H [mm]	Weight [kg]
PU-1	360	330	662	300	13
PU-2	412	380	712	300	14,5
PU-3	452	420	752	300	15,5
PU-4	512	480	812	300	17
PU-5	592	560	892	300	19
PU-6	662	630	962	300	20,5
PU-7	742	710	1042	300	22,5
PU-8	832	800	1132	300	25

PUT damping universal base (for all the types of fans)

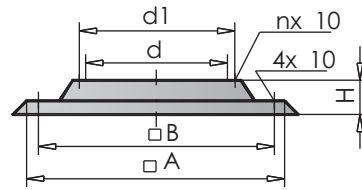


Base size	□ A [mm]	□ B [mm]	□ C [mm]	H [mm]	Weight [kg]
PUT-1	360	330	662	700	22
PUT-2	412	380	712	700	22,5
PUT-3	452	420	752	700	30,5
PUT-4	512	480	812	700	34
PUT-5	592	560	892	900	47,5
PUT-6	662	630	962	900	53
PUT-7	742	710	1042	900	60,5
PUT-8	832	800	1132	900	71,5

Efficiency of universal bases damping is in the A scale **~14dB(A)**.

ADDITIONAL ELEMENTS

PWDt roof base made of polyester-glass laminate (only for the WD and WD PLUS fans)



Base size	Fan size	d [mm]	d1 [mm]	□ A [mm]	□ B [mm]	H [mm]	n	Weight [kg]
PWDt-1	WD-16	160	190	365	330	82	4	2
PWDt-2	WD-20	190	230	415	380	90	4	3
PWDt-3	WD-25	235	280	455	420	100	6	4,5
PWDt-4	WD-31,5	280	345	515	480	113	6	6
PWDt-5	WD-40	368	443	595	560	130	8	7,5
PWDt PLUS-4	WD PLUS-25	285	313	515	480	106	6	9
PWDt PLUS-6	WD PLUS-31,5	360	394	665	630	121	8	11
PWDt PLUS-8	WD PLUS-40	465	500	835	800	141	8	14,5

Assembly plate **PM** (for all the types of fans)

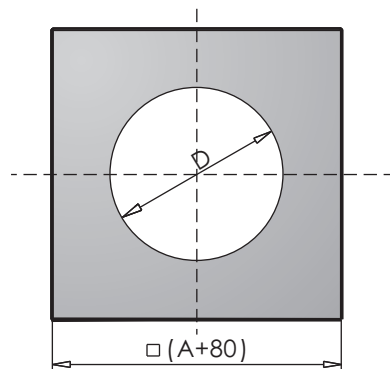
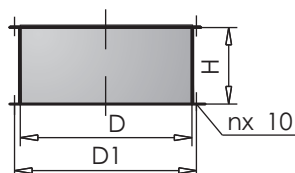


Plate size	□ A [mm]	D [mm]	Weight [kg]
PM-1	360	315	1,4
PM-2	412	355	1,7
PM-3	452	400	1,9
PM-4	512	450	2,5
PM-5	592	500	4,5
PM-6	662	560	5
PM-7	742	630	6
PM-8	832	710	7

Inlet holes can have any shape: round, square, rectangular. In case of round holes we recommend to use the diameter equal with the diameter of mounted fan. It will permit to keep the air flow velocity in the hole ~5 do 8 m/s.

Connector (duct section) or KE elastic spout (for all the fan types)

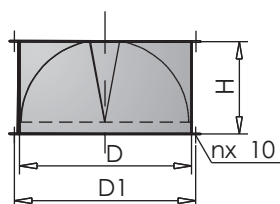


Connector size	D [mm]	D1 [mm]	H [mm]	n	Weight [kg]
KE-1	315	345	110	6	1,3
KE-2	355	394	110	8	1,5
KE-3	400	430	110	8	1,7
KE-4	450	480	110	8	1,9
KE-5	500	530	110	8	2,1
KE-6	560	590	110	8	2,4
KE-7	630	660	110	8	2,7
KE-8	710	740	110	8	3

The table presents the height H for the elastic spout. The height of delivered connector for the ducts sections should be agreed with the manufacturer.

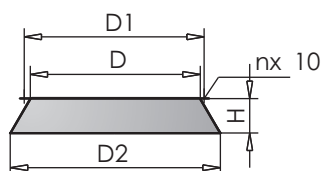
SWD Self-closing throttle

They can be used only in special cases



Throttle size	D [mm]	D1 [mm]	H [mm]	n	Weight [kg]
SWD-1	315	345	200	6	3
SWD-2	355	394	220	8	3,5
SWD-3	400	430	240	8	4,5
SWD-4	450	480	255	8	5,5
SWD-5	500	530	270	8	6,5
SWD-6	560	590	300	8	7,5
SWD-7	630	660	335	8	9,5
SWD-8	710	740	375	8	11,5

Inlet diffuser **DW** (for all the fan types)



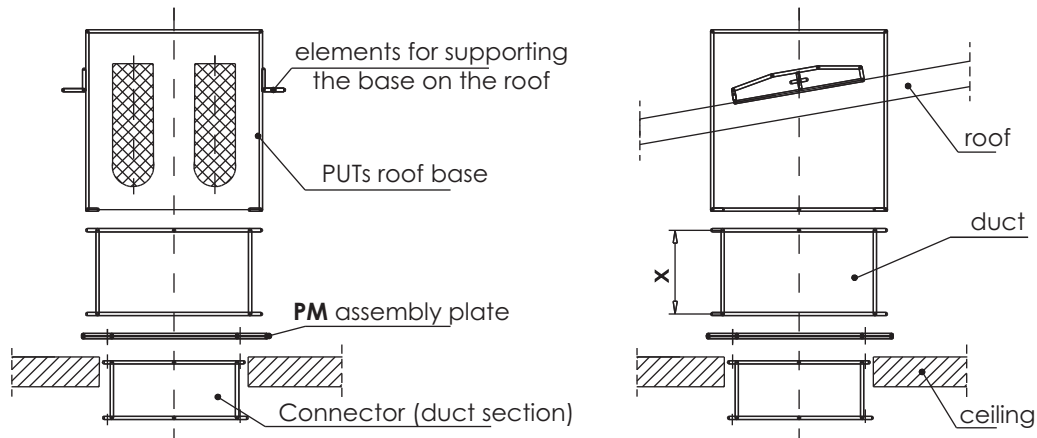
Diffuser size	D [mm]	D1 [mm]	D2 [mm]	H [mm]	n	Weight [kg]
SWD-1	315	345	387	63	6	1,6
SWD-2	355	394	437	71	8	1,8
SWD-3	400	430	492	80	8	2,2
SWD-4	450	480	554	90	8	3,0
SWD-5	500	530	616	100	8	3,8
SWD-6	560	590	689	112	8	4,2
SWD-7	630	660	775	126	8	4,6
SWD-8	710	740	874	142	8	5,8

ADDITIONAL INFORMATION

In case of sloped roofs the variation of the universal bases marked PUs and universal dampening bases marked PUTs can be used above the ceilings.

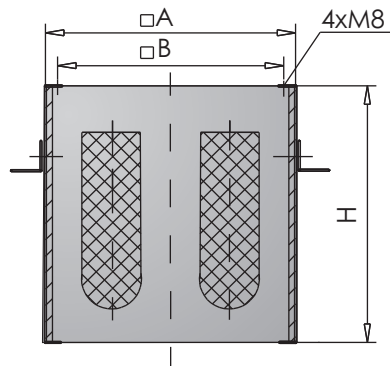
PUTs bases differ from PUT bases with added elements to support the base on sloped roof and with collar in the bottom part enabling connecting with the duct placed between PUTs base and the ceiling

PU's base is a PUTs base without dampening plate.



X – duct section made on site and of the length determined during assembling – it's function is to extend the base to the ceiling and supporting it.

PUTs universal dampening base (for all the fan types).



Base size	□A [mm]	□B [mm]	H [mm]	Weight [kg]
PUTs-1	360	330	700	20
PUTs-2	412	380	700	23
PUTs-3	452	420	700	27,5
PUTs-4	512	480	700	30
PUTs-5	592	560	900	43
PUTs-6	662	630	900	49
PUTs-7	742	710	900	55,5
PUTs-8	832	800	900	65,5

PU's Universal base - PUTs without dampening plates.

The rest of the additional equipment elements are the same as for the PU and PUT universal bases.