

TROPIC



Featuring attractive design of the housing made of high quality plastics, the TROPIC heating unit finds application for heating spaces where the heating units should match modern space interior.

The unit can be installed in horizontal (ceiling mounting) or vertical (wall mounting) position. A bleeder valve allows bleeding of the unit in either position.

INTENDED USE

The TROPIC heating units find application for heating spaces, like:

- shopping centres
- discos
- fashion houses
- churches
- sports and entertainment facilities
- car showrooms

and in other typical places, like warehouses, shop floors, job shops, greenhouses and the like.

UNIT DESCRIPTION

TROPIC heating unit is available in two sizes, with single- or double-row metal louver heaters.

The unit incorporates:

- housing made of high quality plastics
- high efficiency maintenance-free axial-flow fan
- highly efficient water heater

WORKING CONDITIONS

The unit's housing and finned tube heaters are designed for operation with heating medium temperature up to 110°C. The relative humidity and dust load of the air should not exceed 95% and 3 mg/cu.m., respectively.

DESIGNATIONS

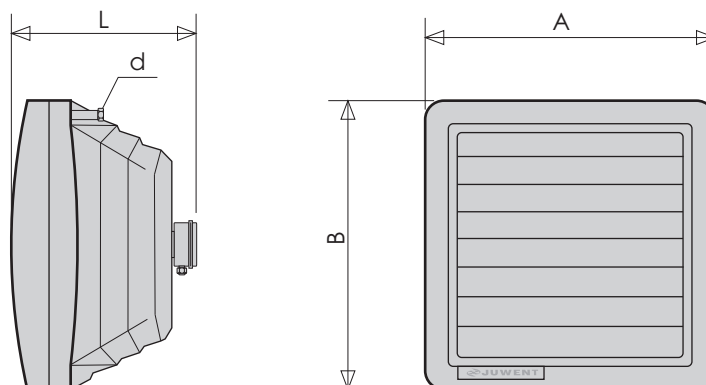
Heating unit

TROPIC - 1 - II

Size 1; 2

Number of heater rows I; II

TECHNICAL DATA

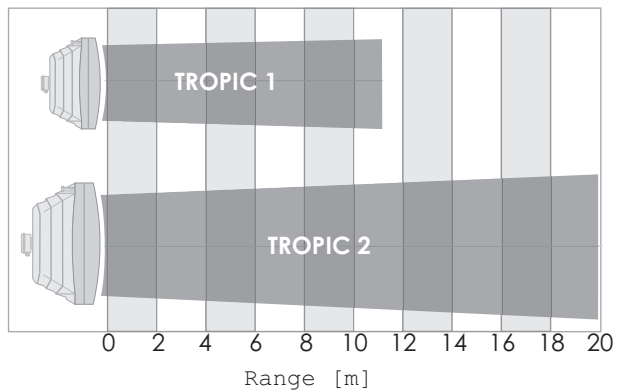


Unit type	TROPIC-1		TROPIC-2										
Basic dimensions													
A [mm]	560		690										
B [mm]	520		670										
L [mm]	380		480										
d	1/2"		3/4"										
Weight [kg]	21		36										
Fan specifications													
Voltage [V]	230		230										
Motor power [kW]	0,13		0,61										
Current [A]	0,59		2,8										
Revolutions [rpm]	1400		1310										
IP	54		54										
Insulation class	F		F										
Operating temperature	do +70		do +60										
Thermal power, air flow, resistance of water flow													
Air flow [m ³ /h]	2100		2000		5600		5300						
Number of heater rows	I		II		I		II						
Water temp. [°C]	Inflow air temp. [°C]	Thermal power [kW], outflow air temperature [°C] and resistance of water flow [kPa]											
		kW	°C	kPa	kW	°C	kPa	kW	°C	kPa	kW	°C	kPa
90/70	0	13,6	18	3,1	25,6	36	22,0	36,5	18	23,7	60,5	32	25,9
	10	11,5	25	2,2	21,7	41	16,2	30,8	26	17,0	51,2	37	18,0
	20	9,5	33	1,5	17,9	47	11,0	25,4	33	11,5	42,3	44	12,5
80/60	0	11,6	15	2,3	21,9	31	16,9	31,0	15	17,1	51,6	26	18,1
	10	9,5	23	1,5	18,1	36	10,4	25,5	23	11,6	42,7	33	13,5
	20	7,6	30	1,1	14,4	42	7,4	20,3	31	7,4	34,1	39	8,0
70/50	0	9,6	12	1,5	18,3	25	10,4	25,6	12	11,7	43,0	22	13,4
	10	7,6	20	1,2	14,6	31	7,3	20,4	20	7,4	34,3	28	7,9
	20	5,7	28	1,0	11,1	37	4,2	15,4	28	4,2	26,0	34	4,7
60/40	0	7,7	10	1,0	14,7	21	7,4	20,5	10	7,5	34,6	18	8,0
	10	5,7	17	0,9	11,2	26	4,3	15,4	18	4,3	26,2	24	5,1
	20	4,0	25	0,8	7,8	32	2,1	10,6	25	2,0	18,2	30	2,3
Unit noise level													
Noise level [dB(A)]	54*		60**										

* For unit size 1, the noise level is defined as the acoustic pressure at 5 m distance, taking dispersion factor of the room A=50m² and the directivity factor Q=2 into account.

** For unit size 2, the noise level is defined as the acoustic pressure at 5 m distance, taking dispersion factor of the room A=100m² and the directivity factor Q=2 into account.

Air stream range (wall mounted units)



The given above blowing ranges are for maximum velocity in the axis of stream = 0,5 m/s.

Ceiling mounted units size 1 can be installed at heights from 3 up to 7 m, depending on the louvers arrangement.

Ceiling mounted units size 2 can be installed at heights from 4 up to 11 m, depending on the louvers arrangement.

AUTOMATICS

Description of heating units automatics components selection are presented in the section: HEATING AND VENTILATION UNITS CONTROL AND AUTOMATICS in this catalogue